

## FS-81-W Medical Foot Switches (IPX8)

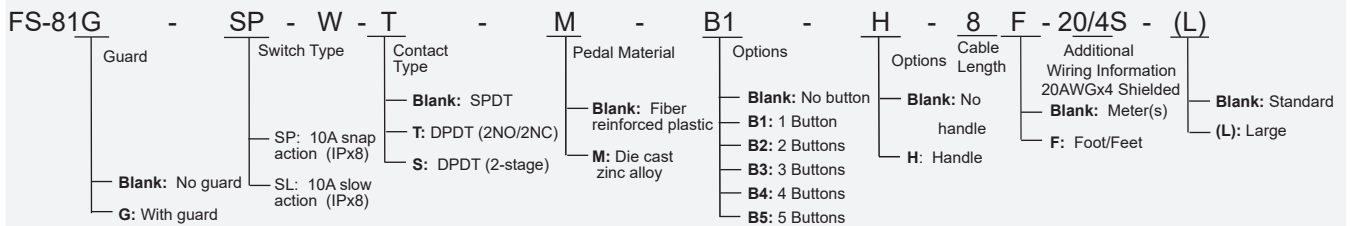
### Features

- Aluminum alloy die cast base
- Galvanically separated contacts (for -SP)
- Positive opening of NC contacts (for -SP)
- Comply with IEC60601-1 and YY1057 standards
- Wire and connector can be connected according to customer's requirements
- USB optional available
- Multiple Pedal colors available
- Wireless model is optional, only applicable with base

### Specifications

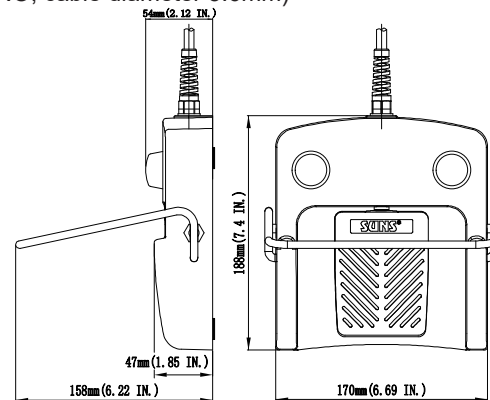
Operating Frequency	60 ops/min	
Insulation Resistance	>100MΩ @500V DC	
Contact Resistance	<25mΩ (initial)	
Rated Current/Voltage	Ith: 10A UL Rating: A300/AC15 IEC60601-1: 5A/25VAC	Ui: 300V AC
Inrush Current	Complies with IEC947-5-1: AC15/DC13	
Dielectric Strength	1000VAC for 1 min between current carrying parts 2500VAC for 1 min between non-current carrying parts	
Service Life	Mechanically 1 x 10 <sup>6</sup> (operations) Electrically 1 x 10 <sup>5</sup> (operations)	
Operating Temperature	-30~+80°C (-22~176°F)	
Degree of Protection	IPX8	

### Selection Guide:

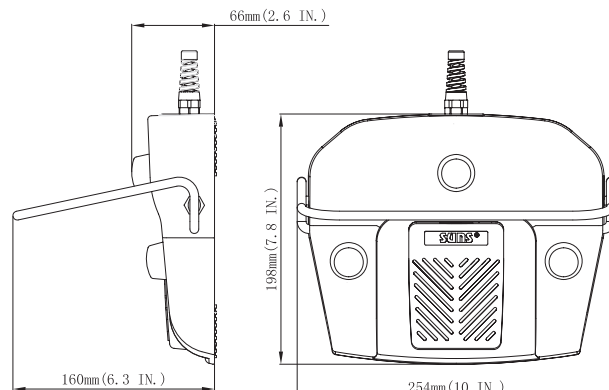


\* Standard pedal color: Black

**FS-81-SP-W-B2-H-2-20/4S** (20AWGx4, shielded, 2 meters, 3x 1NO, cable diameter 7.0mm)  
**FS-81-SP-W-B2-H-2-22/5S** (22AWGx5, shielded, 2 meters, 3x 1NO, cable diameter 5.6mm)



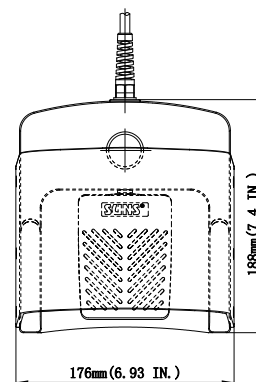
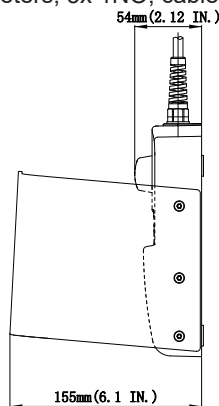
**FS-81-SP-W-B3-H-2-22/5S-(L)** (22AWGx5, shielded, 2 meters, 4x 1NO, cable diameter 5.6mm)



## FS-81-W Medical Foot Switches (IPX8)

**FS-81G-SP-W-B2-2-20/4S** (20AWGx4, shielded, 2 meters, 3x 1NO, cable diameter 7.0mm)

**FS-81G-SP-W-B2-2-22/5S** (22AWGx5, shielded, 2 meters, 3x 1NO, cable diameter 5.6mm)



## FS-82-W Series Medical Foot Switches (IPX8)

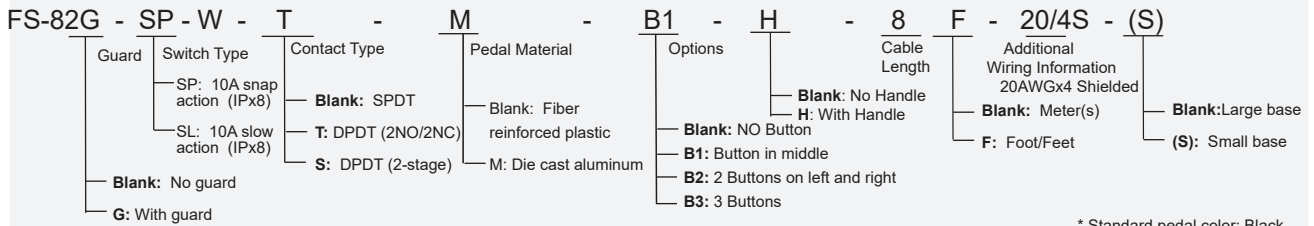
### Features

- Aluminum alloy die cast base
- Galvanically separated contacts (for -SP, -SL)
- Positive opening of NC contacts (for -SP, -SL)
- Comply with IEC60601-1 and YY1057 standards
- Wire and connector can be connected according to customer's requirements
- USB optional available
- Multiple Pedal colors available
- Wireless model is optional, only applicable with base

### Specifications

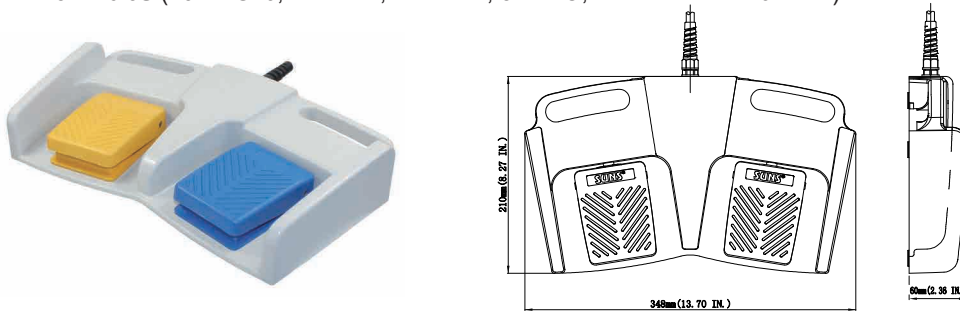
Operating Frequency	60 ops/min
Insulation Resistance	>100MΩ@500V DC
Contact Resistance	<25mΩ (initial)
Rated Current/Voltage	Ith: 10A UL Rating: A300/AC15 IEC60601-1: 5A/25VAC
Inrush Current	Complies with IEC947-5-1: AC15/DC13
Dielectric Strength	1000VAC for 1 min between current carrying parts 2500VAC for 1 min between non-current carrying parts
Service Life	Mechanically 1 x 10 <sup>6</sup> (operations) Electrically 1 x 10 <sup>5</sup> (operations)
Operating Temperature	-30~+80°C (-22~176°F)
Degree of Protection	IPX8

### Selection Guide:

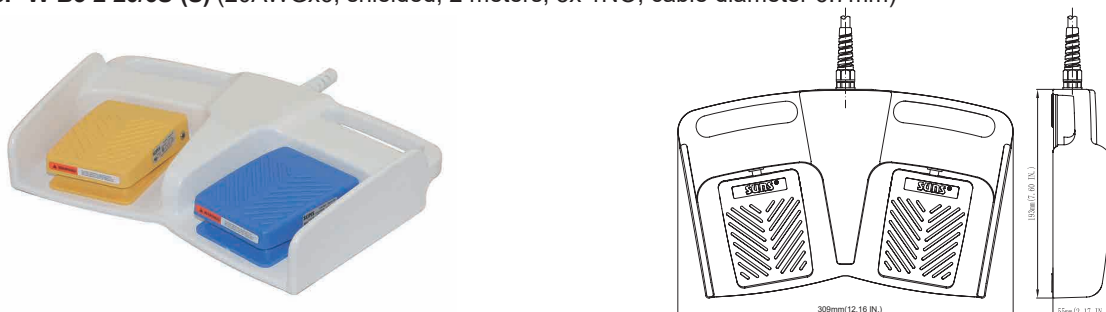


### Dimensions:

- FS-82-SP-W-2-20/4S (20AWGx4, shielded, 2 meters, 2x 1NO, cable diameter 7.0mm)
- FS-82-SP-W-2-22/5S (22AWGx5, shielded, 2 meters, 2x 1NO, cable diameter 5.6mm)
- FS-82-SP-W-B1-2-20/4S (20AWGx4, shielded, 2 meters, 3x 1NO, cable diameter 7.0mm)
- FS-82-SP-W-B1-2-22/5S (22AWGx5, shielded, 2 meters, 3x 1NO, cable diameter 5.6mm)
- FS-82-SP-W-B2-2-22/5S (22AWGx5, shielded, 2 meters, 4x 1NO, cable diameter 5.6mm)
- FS-82-SP-W-B3-2-20/6S (20AWGx6, shielded, 2 meters, 5x 1NO, cable diameter 6.7mm)

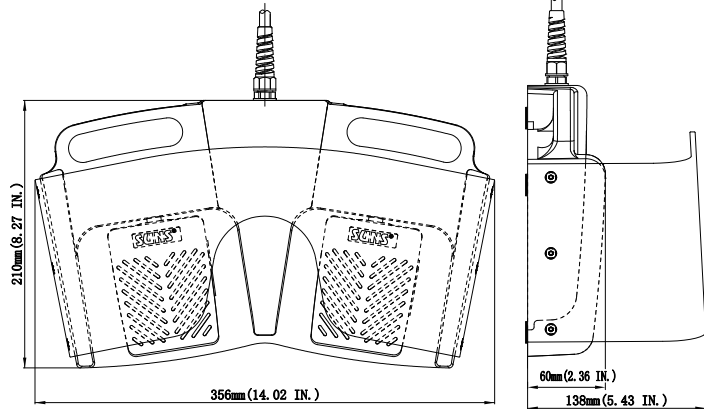


- FS-82-SP-W-2-20/4S-(S) (20AWGx4, shielded, 2 meters, 2x 1NO, cable diameter 7.0mm)
- FS-82-SP-W-2-22/5S-(S) (22AWGx5, shielded, 2 meters, 2x 1NO, cable diameter 5.6mm)
- FS-82-SP-W-B1-2-20/4S-(S) (20AWGx4, shielded, 2 meters, 3x 1NO, cable diameter 7.0mm)
- FS-82-SP-W-B1-2-22/5S-(S) (22AWGx5, shielded, 2 meters, 3x 1NO, cable diameter 5.6mm)
- FS-82-SP-W-B2-2-22/5S-(S) (22AWGx5, shielded, 2 meters, 4x 1NO, cable diameter 5.6mm)
- FS-82-SP-W-B3-2-20/6S-(S) (20AWGx6, shielded, 2 meters, 5x 1NO, cable diameter 6.7mm)

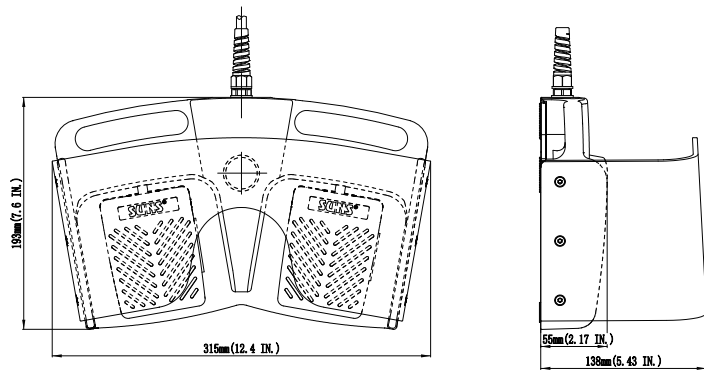


## FS-82-W Series Medical Foot Switches (IPX8)

- FS-82G-SP-W-2-20/4S** (20AWGx4, shielded, 2 meters, 2x 1NO, cable diameter 7.0mm)
- FS-82G-SP-W-2-22/5S** (22AWGx5, shielded, 2 meters, 2x 1NO, cable diameter 5.6mm)
- FS-82G-SP-W-B1-2-20/4S** (20AWGx4, shielded, 2 meters, 3x 1NO, cable diameter 7.0mm)
- FS-82G-SP-W-B1-2-22/5S** (22AWGx5, shielded, 2 meters, 3x 1NO, cable diameter 5.6mm)
- FS-82G-SP-W-B2-2-22/5S** (22AWGx5, shielded, 2 meters, 4x 1NO, cable diameter 5.6mm)
- FS-82G-SP-W-B3-2-20/6S** (20AWGx6, shielded, 2 meters, 5x 1NO, cable diameter 6.7mm)



- FS-82G-SP-W-2-20/4S-(S)** (20AWGx4, shielded, 2 meters, 2x 1NO, cable diameter 7.0mm)
- FS-82G-SP-W-2-22/5S-(S)** (22AWGx5, shielded, 2 meters, 2x 1NO, cable diameter 5.6mm)
- FS-82G-SP-W-B1-2-20/4S-(S)** (20AWGx4, shielded, 2 meters, 3x 1NO, cable diameter 7.0mm)
- FS-82G-SP-W-B1-2-22/5S-(S)** (22AWGx5, shielded, 2 meters, 3x 1NO, cable diameter 5.6mm)
- FS-82G-SP-W-B2-2-22/5S-(S)** (22AWGx5, shielded, 2 meters, 4x 1NO, cable diameter 5.6mm)
- FS-82G-SP-W-B3-2-20/6S-(S)** (20AWGx6, shielded, 2 meters, 5x 1NO, cable diameter 6.7mm)



## FS-83-W Series Medical Foot Switches (IPX8)

### Features

- Aluminum alloy die cast base
- Galvanically separated contacts (for -SP, -SL)
- Positive opening of NC contacts (for -SP, -SL)
- Comply with IEC60601-1 and YY1057 standards
- Wire and connector can be connected according to customer's requirements
- USB optional available
- Multiple Pedal colors available
- Wireless model is optional, only applicable with base

### Specifications

Operating Frequency	60 ops/min
Insulation Resistance	>100MΩ@500V DC
Contact Resistance	<25mΩ (initial)
Rated Current/Voltage	Ith: 10A    Ui: 300V AC UL Rating: A300/AC15 IEC60601-1: 5A/25VAC
Inrush Current	Complies with IEC947-5-1: AC15/DC13
Dielectric Strength	1000VAC for 1 min between current carrying parts 2500VAC for 1 min between non-current carrying parts
Service Life	Mechanically 1 x 10 <sup>6</sup> (operations) Electrically 1 x 10 <sup>5</sup> (operations)
Operating Temperature	-30~+80°C (-22~176°F)
Degree of Protection	IPX8

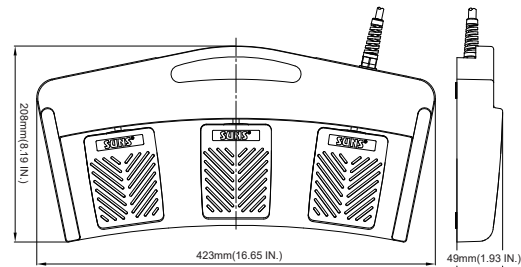
### Selection Guide:

FS-83-SP		-	W - T		-	M - B1		-	H - 8		F - 20/4S	-	(P)
Switch Type			Base Material			Pedal Material			Options		Cable Length		Additional Wiring Information 20AWGx4 Shielded
SP: 10A snap action (IPx8) SL: 10A slow action (IPx8)			W: Alloy base WP: Fiber reinforced plastics			Blank: Fiber reinforced plastic M: Die cast aluminum			Blank: No Button B1: Button in middle B2: 2 Buttons on left and right B3: 3 Buttons		Blank: No Handle H: With Handle		Blank: Meter(s) F: Foot/Feet
													Blank: No Partition (P): With partition between pedals

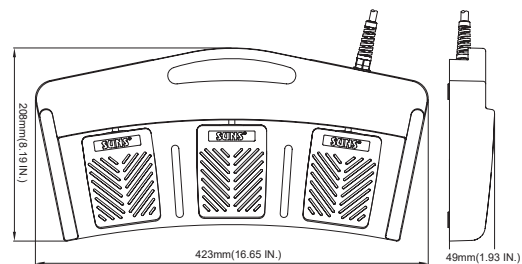
\* Standard pedal color: Black

### Dimensions:

- FS-83-SP-W-2-20/4S (20AWGx4, shielded, 2 meters, 3x 1NO, cable diameter 7.0mm)  
 FS-83-SP-W-2-22/5S (22AWGx5, shielded, 2 meters, 3x 1NO, cable diameter 5.6mm)  
 FS-83-SP-W-B1-2-22/5S (22AWGx5, shielded, 2 meters, 4x 1NO, cable diameter 5.6mm)  
 FS-83-SP-W-B2-2-20/6S (20AWGx6, shielded, 2 meters, 5x 1NO, cable diameter 6.7mm)



- FS-83-SP-W-2-20/4S-(P) (20AWGx4, shielded, 2 meters, 3x 1NO, cable diameter 7.0mm)  
 FS-83-SP-W-2-22/5S-(P) (22AWGx5, shielded, 2 meters, 3x 1NO, cable diameter 5.6mm)  
 FS-83-SP-W-B1-2-22/5S-(P) (22AWGx5, shielded, 2 meters, 4x 1NO, cable diameter 5.6mm)  
 FS-83-SP-W-B2-2-20/6S-(P) (20AWGx6, shielded, 2 meters, 5x 1NO, cable diameter 6.7mm)



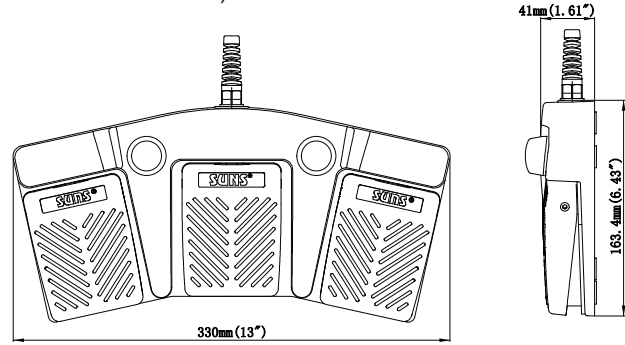
## FS-83-W Series Medical Foot Switches (IPX8)

**FS-83-SP-WP-2-20/4S** (20AWGx4, shielded, 2 meters, 3x 1NO, cable diameter 7.0mm)

**FS-83-SP-WP-B1-2-22/5S** (22AWGx5, shielded, 2 meters, 4x 1NO, cable diameter 5.6mm)

**FS-83-SP-WP-B2-2-20/6S** (20AWGx6, shielded, 2 meters, 5x 1NO, cable diameter 6.7mm)

**FS-83-SP-WP-B3-26/7** (26AWGx7, PUR, coiled, 6 1NO, cable diameter 5.3mm)

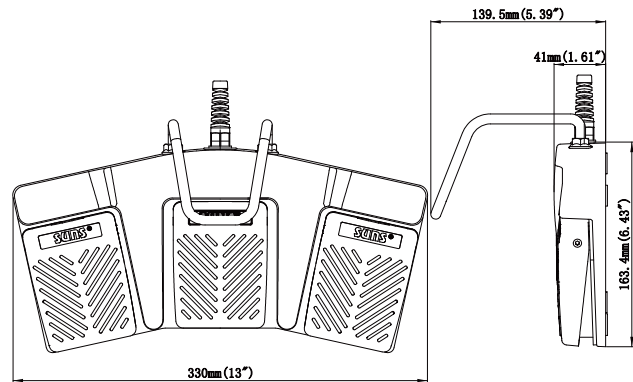


**FS-83-SP-WP-H-2-20/4S** (20AWGx4, shielded, 2 meters, 3x 1NO, cable diameter 7.0mm)

**FS-83-SP-WP-B1-H-2-22/5S** (22AWGx5, shielded, 2 meters, 4x 1NO, cable diameter 5.6mm)

**FS-83-SP-WP-B2-H-2-20/6S** (20AWGx6, shielded, 2 meters, 5x 1NO, cable diameter 6.7mm)

**FS-83-SP-WP-B3-H-26/7** (26AWGx7, PUR, coiled, 6x 1NO, cable diameter 5.3mm)



## FS-84-W Series Medical Foot Switches (IPX8)

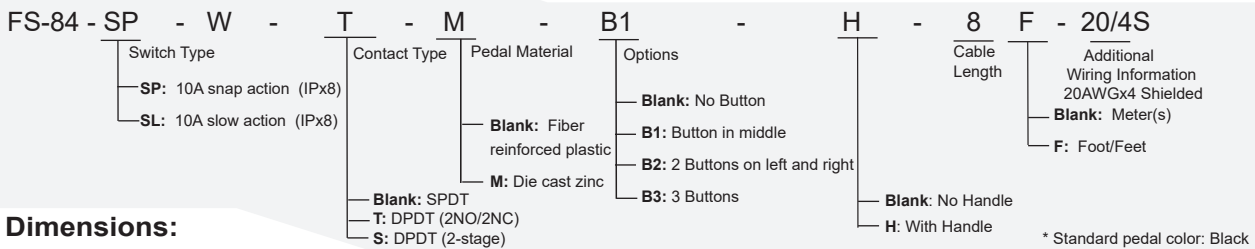
### Features

- Robust glass fiber reinforced plastic base
- Galvanically separated contacts (for -SP, -SL)
- Positive opening of NC contacts (for -SP, -SL)
- Comply with IEC60601-1 and YY1057 standards
- Wire and connector can be connected according to customer's requirements
- USB optional available
- Multiple Pedal colors available
- Wireless model is optional, only applicable with base

### Specifications

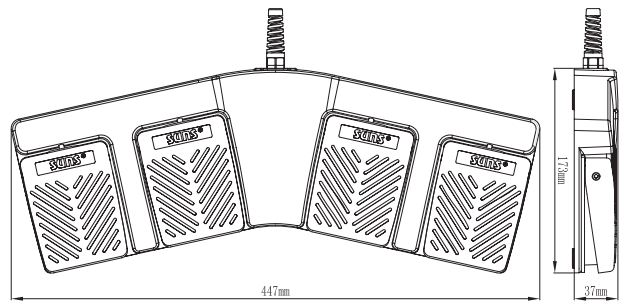
Operating Frequency	60 ops/min
Insulation Resistance	>100MΩ@500V DC
Contact Resistance	<25mΩ (initial)
Rated Current/Voltage	Ith: 10A      Ui: 300V AC UL Rating: A300/AC15 IEC60601-1: 5A/25VAC
Inrush Current	Complies with IEC947-5-1: AC15/DC13
Dielectric Strength	1000VAC for 1 min between current carrying parts 2500VAC for 1 min between non-current carrying parts
Service Life	Mechanically 1 x 10 <sup>6</sup> (operations) Electrically 1 x 10 <sup>5</sup> (operations)
Operating Temperature	-30~+80°C (-22~176°F)
Degree of Protection	IPX8

### Selection Guide:



### Dimensions:

- FS-84-SP-W-2-22/5S (22AWGx5, shielded, 2 meters, 4x 1NO, cable diameter 5.6mm)
- FS-84-SP-W-B1-2-20/6S (20AWGx6, shielded, 2 meters, 5x 1NO, cable diameter 6.7mm)
- FS-84-SP-W-B2-26/7 (26AWGx7, PUR, coiled, 6x 1NO, cable diameter 5.3mm)



- FS-84-SP-W-H-2-22/5S (22AWGx5, shielded, 2 meters, 4x 1NO, cable diameter 5.6mm)
- FS-84-SP-W-H-B1-2-20/6S (20AWGx6, shielded, 2 meters, 5x 1NO, cable diameter 6.7mm)
- FS-84-SP-W-H-B2-26/7 (26AWGx7, PUR, coiled, 6x 1NO, cable diameter 5.3mm)

